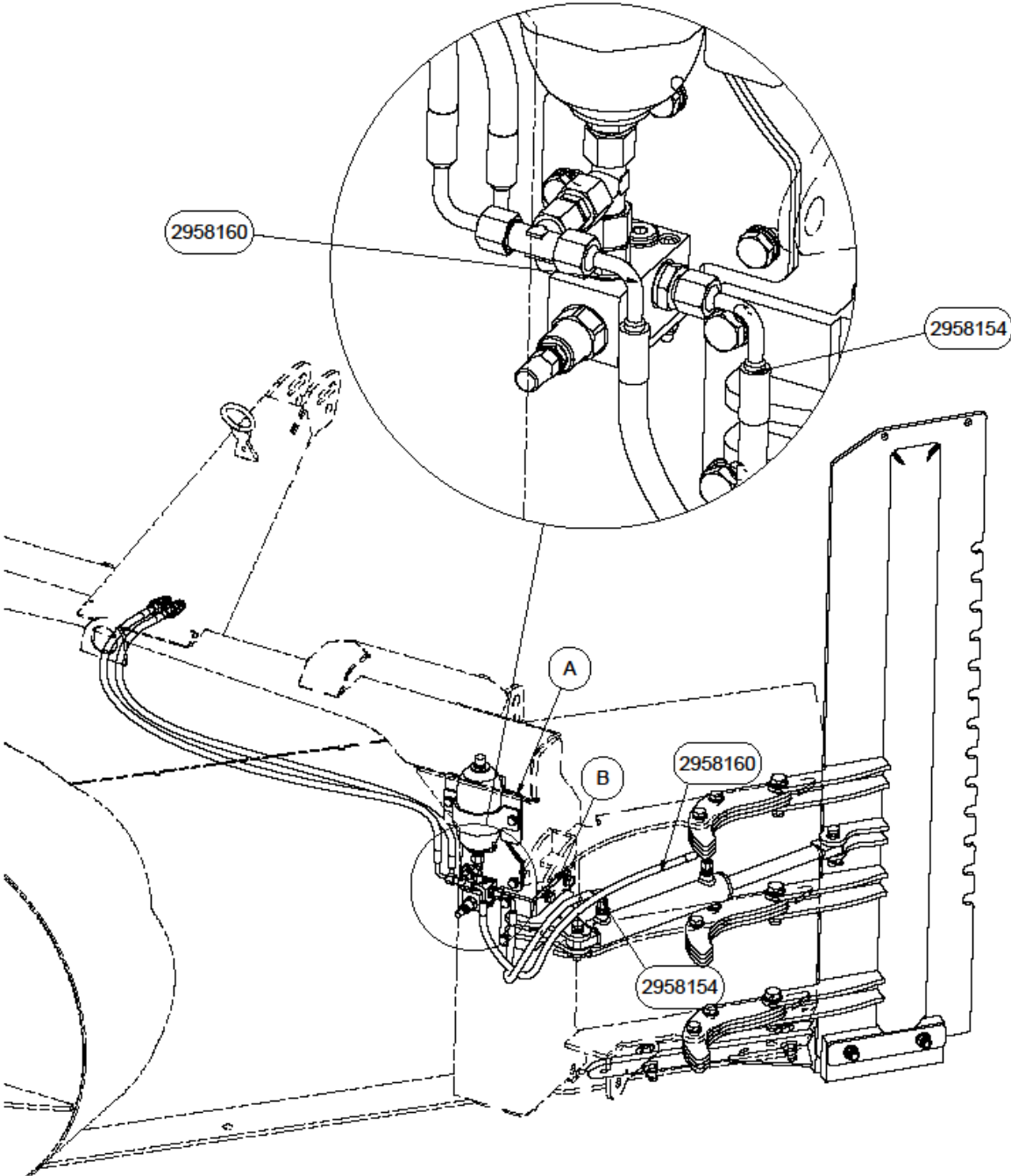


**Assembly instructions for hydraulic side extension 25123018/25143020**



A: The bracket and plate for the accumulator must be assembled as in the illustration.

B: Mount the bracket for the cylinder as in the illustration.